

## Installation Instructions

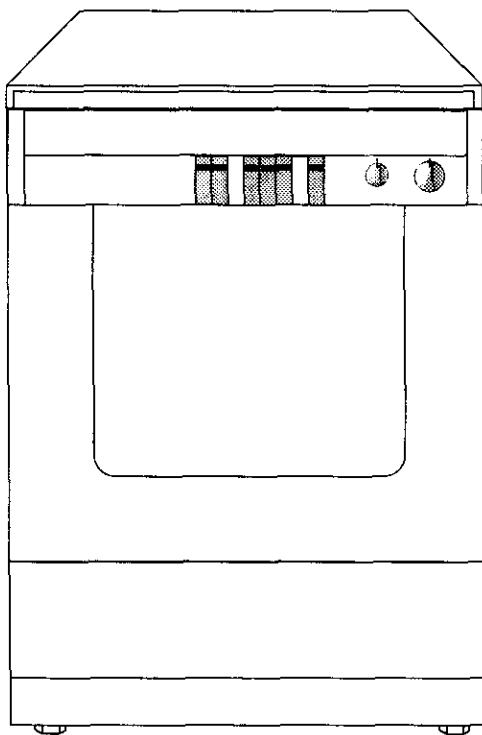
### Models

#### WTA 3500

Electric Vented Dryer

#### WTL 5400

Electric Condensation Dryer



### Quick Reference Index

INTRODUCTION	2
TOOLS NEEDED FOR INSTALL.	2
PARTS SUPPLIED FOR INSTALL.	2
PARTS NEEDED FOR INSTALL.	2
DRYER ELECTRICAL CORD	2
GROUNDING INSTRUCTIONS	2
ADDITIONAL GROUNDING	
PROCEDURE	3
ELECTRICAL RECEPTACLE	
VENTING	3
DUCTWORK	3
EXHAUST VENT HOOD	3
CONDENSATE DRAIN	3
TECHNICAL DATA	
ELECTRICAL REQUIREMENTS	4
MINIMUM INSTALL. CLEARANCES	4
CHOOSING THE LOCATION	4-5
INSTALLATION	
STEP 1, UNPACK THE DRYER	5
STEP 2, INSPECT THE DRYER	5
STEP 3, POSITION DRYER NEAR	
INSTALLATION AREA	5
STEP 4, EXHAUST DUCT	5-6
STEP 5, CONDENSATE HOSE	
CONNECTION	6-7
STEP 6, ELECTRICAL	7-8
STEP 7, POSITION AND LEVEL	
THE DRYER	8
STEP 8, CONNECT DUCT SYSTEM	
TO DRYER	9
STEP 9, FINAL CHECK LIST	9

**IMPORTANT:** Before you begin read these instructions completely and carefully.

**INSTALLER:** Remove the door from all discarded appliances to avoid the danger of a child suffocating.

**KEEP THESE INSTRUCTIONS FOR FUTURE REFERENCE.**

(In case of change of ownership, manual should be conveyed with the dryer.)

# Introduction

Read these installation instructions completely and carefully. They will save you time and effort and help to ensure optimum dryer performance. Be sure to observe all listed warnings and cautions.

These installation instructions are intended for use by qualified installers. In addition to these instructions the dryer shall be installed:

- In the United States, in accordance with the National Electric Code, ANSI/NFPA70 ~ latest edition/State and Municipal codes and/or local codes.
- In Canada, in accordance with the Canadian Electric Code C22.1 ~ latest edition/Provincial and Municipal codes and/or local codes.

## Tools Needed for Installation

The following tools are needed for installation of this dryer:

- Box cutter
- Flat blade screwdriver
- #2 Phillips head screwdriver
- Duct tape
- Caulking gun and compound
- Level
- Safety goggles
- Gloves

## Parts Supplied for Installation

Condensation water drain hose (WTL 5400 only)  
Stacking kit

## Parts Needed for Installation (Model WTA 3500 Only!)

Four inch (approx. 100 mm) diameter metal exhaust duct (rigid or flexible) of proper length and with elbows and exhaust vent hood required to vent to outdoors.

## Dryer Electrical Cord

The Bosch dryer comes with a 4-wire power supply cord pre-installed. This cord fits a 4-wire receptacle as shown in the upper section of Figure 1.

If your receptacle is a 3-wire receptacle, as shown in the lower section of Figure 1, a 3-wire "Dryer Cord" must be purchased locally. The 4-wire cord must then be removed and the 3-wire cord installed in its place, as instructed in following section titled, **To Change Cord.**

When purchasing a 3-wire power supply cord make sure the cord meets following requirements:

- U.L listed in the USA, CSA listed in Canada
- 240 volt rated (minimum)
- 30 ampere
- Type SRD or SRDT
- Five feet long (minimum)

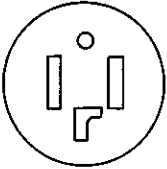
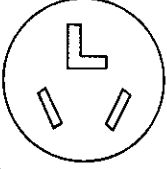

 <p>4-wire receptacle (14-30R)</p>	<p>Dryer shipped with cord to fit this type 4-wire receptacle.</p>
 <p>3-wire receptacle (10-30R)</p>	<p>If you have 3-wire receptacle, like this, a 3-wire dryer cord must be purchased locally.</p>

Figure 1.

## Grounding Instructions

This appliance must be grounded. In the event of malfunction or breakdown, grounding will reduce the risk of electric shock by providing a path of least resistance for the electric current. This appliance is equipped with a cord having an equipment-grounding conductor and a grounding plug. The plug must be plugged into an appropriate outlet that is properly installed and grounded in accordance with all local codes and ordinances.



## WARNING

Improper connection of the equipment-grounding conductor can result in a risk of electric shock. Check with a qualified electrician or serviceman if you are in doubt as to whether the dryer is properly grounded.

### **Additional Grounding Procedure**

Some local codes may require a separate ground. In such cases, the required accessory ground wire, clamp and screw must be purchased separately.

**Never ground the dryer to plastic plumbing lines, gas lines or hot water pipes.**

### **Electrical Receptacle**

The receptacle for the dryer cord must be located so that the power supply cord will be accessible when the dryer is in the installed position.

### **Venting**

The WTA 3500, electric vented dryer, is intended to be vented to the outdoors. To prevent build-up of moisture and accumulation of lint indoors, as well as to maintain maximum drying efficiency, it is recommended that the Bosch WTA 3500 be vented to the outdoors.

### **Ductwork**

Four-inch (approx. 100 mm) diameter ducting should be used. Use either rigid metal or flexible metal ducting material. **DO NOT** use non-metal duct with this dryer.

Exhaust ducts should be as straight as possible. Exhaust ducting longer than recommended can extend drying time, can collect lint and may effect dryer performance. Joints should be secured with duct tape. **DO NOT** use screws to secure joints as lint can collect on the screws. See **Step 4, Exhaust Duct**, in following section titled **INSTALLATION** for recommended routing and duct length calculations.

### **Exhaust Vent Hood**

The exhaust duct must end with an approved exhaust vent hood with swing out damper(s). **DO NOT** use an exhaust vent hood with magnetic latches. To avoid restriction of exhaust the outlet must be a minimum of 12 inches (30 cm) above ground level, or any other obstructing surface. See Figure 7.

### **Condensate Drain**

The WTL 5400, electric condensation dryer, dries by condensing the moisture from the dryer air and then pumping this condensate out of the dryer.

The WTL 5400 must have its condensate hose connected to a suitable drain. See **Step 5, Condensate Hose Connection**, in the following section titled **INSTALLATION**.

## Technical Data

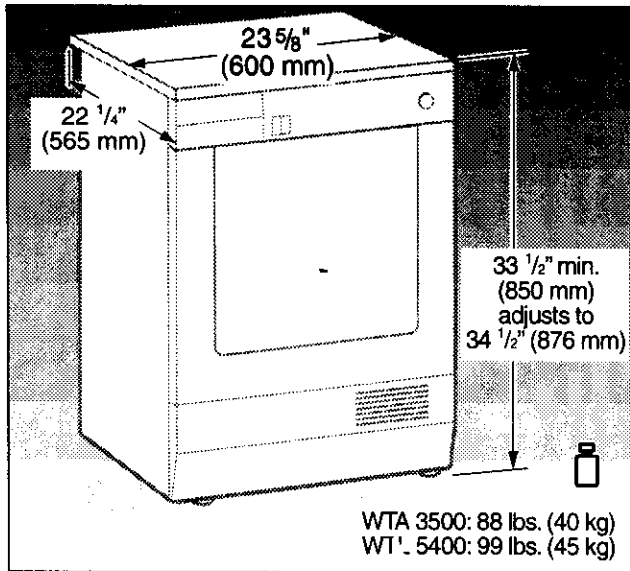


Figure 2.

### Electrical Requirements

The Bosch dryers should be CONNECTED TO AN 30A INDIVIDUAL BRANCH CIRCUIT. North American models have the following electrical rating:

Model	Volts	Hertz	Amperes	Watts
WTA 3500	208/240	60	13	3,100
WTL 5400	208/240	60	13	3,100

Check the rating plate on the dryer to make sure your machine has this rating.

### Choosing the Location

The dryer should not be installed:

- in an area exposed to dripping water or outside weather conditions
- in an area where it (and in the case of the WTA 3500, its exhaust duct) will come in contact with combustible materials, such as, curtains, drapes or paper.
- in areas where water may freeze
- in an area where gasoline or other flammables are kept or stored (including gasoline powered vehicles or equipment).

Check local codes before choosing a location. Some codes do not permit installation of a clothes dryer in a garage, closet, mobile home or sleeping area. Your local building inspector should be able to advise you of the codes in your area.

## Minimum Installation Clearances

	Alcove or Under Counter	Closet
Sides	0" (0 mm)	0" (0 mm)
Top	0" (0 mm)	10" (250 mm)
Rear	1" (25 mm)	5" (125 mm)

## Ventilation Requirements

	Alcove or Under Counter	Closet
WTA 3500	Ensure air flow of 6,700 cu.ft./hr (190 cu.m./hr) through dryer	Closet door must have 2 (louvered) openings, each having a minimum area of 60 sq. inches (387 sq. cm.), located 3 inches (8 cm) from bottom and top of door. *
WTL 5400	Ensure air flow of 7,100 cu.ft./hr (200 cu.m./hr) through dryer	Closet door must remain open during dryer operation.

\* - A louvered door with equivalent air opening is acceptable.

## Flooring

The dryer should be installed on a level, solidly constructed floor. DO NOT install the dryer on a carpeted floor.

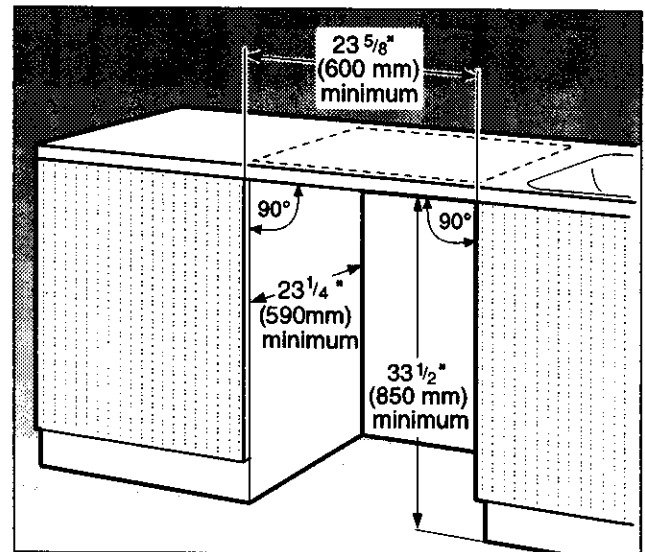


Figure 3.

### Built-in Installation

The Bosch dryer can be built-in: that is, you can install the Bosch dryer under-counter in a kitchen cabinet opening. The cabinet opening should be square and have the dimensions as shown in Figure 3.

Note: If installed under a countertop, the countertop must be continuous and securely attached to neighboring cabinets.



## **WARNING**

DO NOT install the dryer in an area where gasoline or other flammable materials are kept or stored (including automobiles or other motorized vehicles).

The dryer must be installed in a room that is adequately ventilated. Make sure there is an adequate supply of fresh air. Both the WTA 3500, electric vented dryer, and the WTL 5400, electric condensation dryer need an adequate supply of fresh air for optimum performance.

### **CAUTION:**

DO NOT install the dryer in a closet with a solid door.

# INSTALLATION

## Step 1

### Unpack the Dryer

Carefully remove the packing material from the outside of the dryer.

## Step 2

### Inspect the Dryer

Thoroughly inspect the dryer, prior to installation, for possible freight or cosmetic damage. Report any damage immediately. Cosmetic damage must be reported within 5 days of installation.

## Step 3

### Position Dryer near Installation Area

Move the dryer so that it is within four feet of the desired position.

Note: Corrugated packing material may be used to protect the floor. Do not use corrugated material with staples.

## Step 4

### Exhaust Duct

(Model WTA 3500 Only!)

The WTA 3500 must be exhausted to the outdoors.



## WARNING

1. To reduce the risk of fire, this dryer **MUST BE EXHAUSTED OUTDOORS**, when installed in an alcove or closet.
2. **DO NOT** use non-metal duct with this dryer.
3. **DO NOT** use duct smaller than 4 inches in diameter.
4. **DO NOT** use exhaust hoods with magnetic latches.
5. **DO NOT** exhaust the dryer into a chimney, furnace cold air duct, attic, crawl space, or any other ductwork used for venting.
6. **DO NOT** install flexible duct in an enclosed wall, ceiling or floor.
7. **DO NOT** crush or kink the duct.
8. Do clean and inspect the exhaust system on a regular basis; once a year, at a minimum.
9. The exhaust duct must end with swing out damper(s).

Be sure to install the exhaust according to all governing codes and ordinances. Rigid metal duct is recommended for venting this dryer. If flexible metal duct is used, be sure it is fully supported when the dryer is in its final position. Excess ducting should be trimmed off to avoid sagging or kinking of the ductwork.

The duct may be connected to the left, right or back of the WTA 3500, electric vented dryer. If connecting to the left or right hand side of the dryer, remove the sealing cover from the side to be used, as shown in Figure 4.

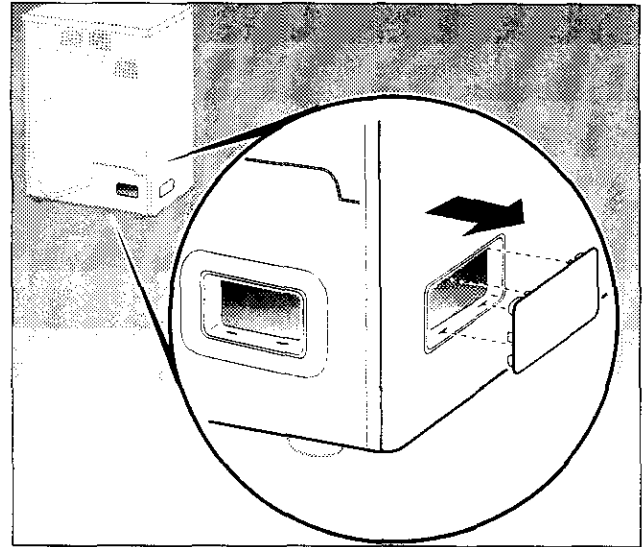


Figure 4.

The sealing cover should then be placed over the open vent opening at the back of the dryer, as shown in Figure 5.

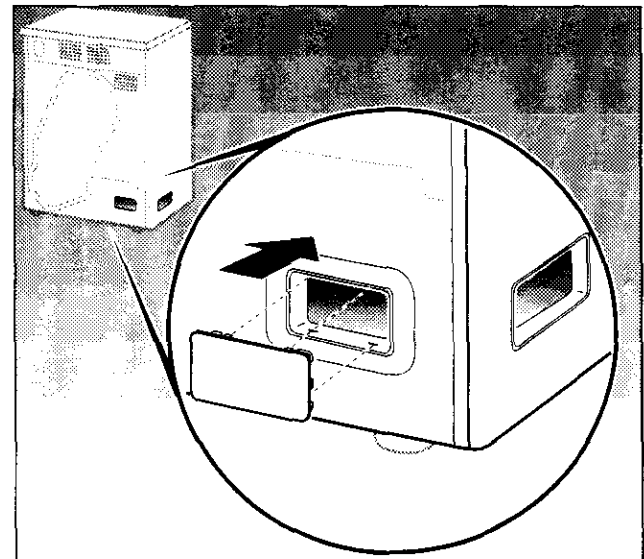


Figure 5.

The connecting piece supplied with your WTA 3500 dryer must then be inserted in the vent opening that will be used. See Figure 6.

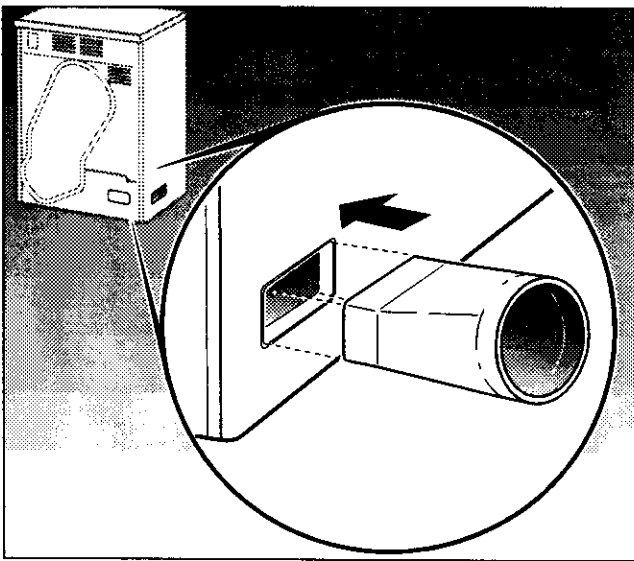


Figure 6.

### Checking/Installing Exhaust Ducting

The ducting system of the dryer, for optimum performance, should be as short as possible with a minimum number of elbows. Your WTA 3500 electric vented dryer will work best when the venting system has as few restrictions to the flow of air as possible. Whether installing to an existing venting system or a new venting system, make sure that all ducting is clean and free of lint and does not exceed the length per elbows as shown in Table 1, below:

Number of Elbows	Maximum length of duct	
	Rigid Duct	Flexible Duct
0	30 ft. (914 cm)	20 ft. (610 cm)
1	22 ft. (670 cm)	15 ft. (457 cm)
2	14 ft. (427 cm)	9 ft. (274 cm)
3	6 ft. (183 cm)	4 ft. (122 cm)

Table 1.

Every elbow must have a minimum diameter of 4 inches (10 cm).

The above table assumes the use of an approved exhaust vent hood with a swing out damper. DO NOT use an exhaust vent hood with magnetic latches. To avoid restriction of exhaust the outlet must be a minimum of 12 inches (30 cm) above ground level, or any other obstructing surface, as shown below, in Figure 7.

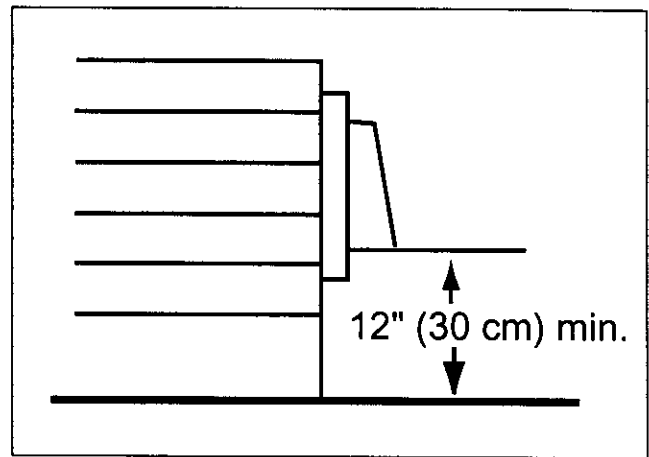


Figure 7.

### Step 5 Condensate Hose Connection (Model WTL 5400 Only!)

The WTL 5400 must have its condensate drain line installed and run to a suitable drain. The connection for the condensate hose is located on the back of the WTL 5400, see Figure 8.

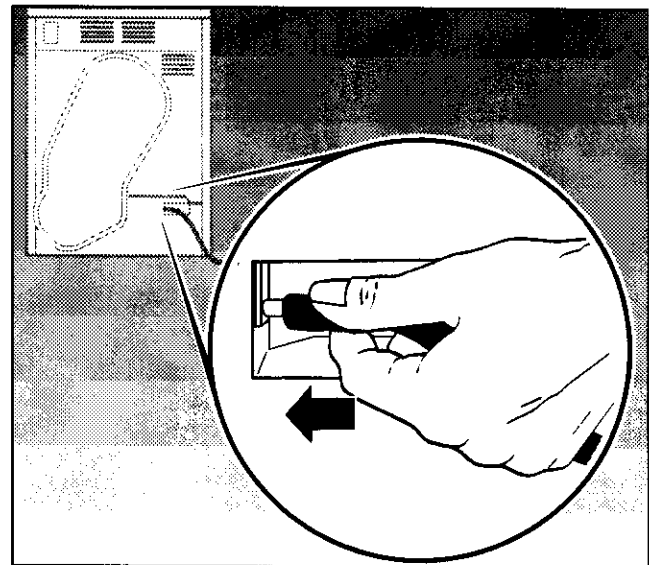


Figure 8.

The condensate drain hose should already be connected to the dryer. The other end should then be placed and secured at a nearby sink or drain, or if installed with a washer it may, room permitting, be installed next to the washer drain hose and drained to the same drain used by the washer.

Be sure to follow all local codes and regulations in running the condensate to a suitable drain.

## Step 6

### Electrical

The Bosch dryer comes with 4-wire power supply cord pre-installed. This cord fits a 4-wire receptacle as shown in the upper section of Figure 1.

If your receptacle is a 3-wire receptacle, as shown in the lower section of Figure 1, a 3-wire "Dryer Cord" must be purchased locally. The 4-wire cord must then be removed and the 3-wire cord installed in its place,

### Electrical Connection, 4-Wire

For a 4-wire system, all that is necessary is to plug the 4-wire power supply cord into the 4-wire receptacle of the proper rating.

**Note:** The receptacle should be located so that the plug and receptacle will be accessible when the dryer is in its final installed position.

### Electrical Connection, 3-Wire

If your receptacle is a 3-wire receptacle as shown below, Figure 9, you must obtain a 3-wire dryer cord. Dryer cord can usually be found at your local hardware supply, electrical supply or home center. Cord should have closed loop or upturned end wire terminating connectors.

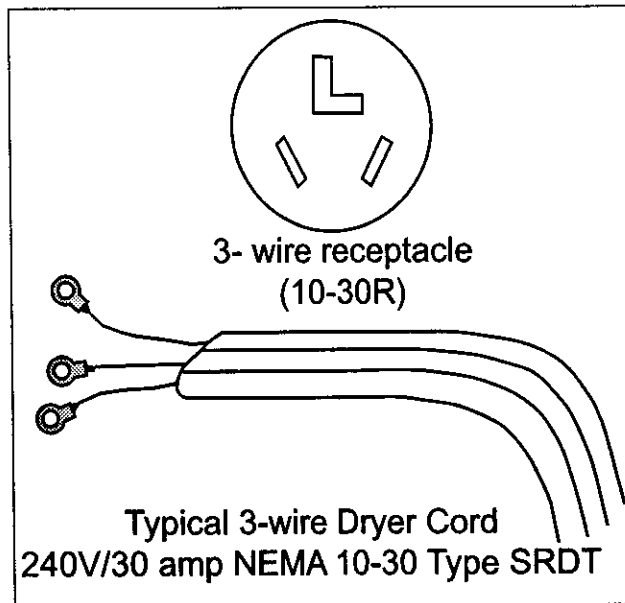


Figure 9.

**Note:** If the dryer is installed in a mobile home or in areas where local codes do not permit grounding, only a 4-wire power supply cord shall be used.

### To Change Cord:

1. Make sure that the dryer is not plugged into any power outlet.



## WARNING

DO NOT plug end of dryer power cord into a live receptacle before connecting dryer power cord to dryer terminals and closing junction/splitter box as described below.

DO NOT reuse old power supply cord.

Power cord must be changed only by a qualified person.

2. Remove the screw from the cover of the junction/splitter box located at the top rear of the dryer
3. Remove the green ground wire from the ground terminal.
4. Remove the red, white and black wire from the terminal block.
5. Loosen the 2 screws in the U.L. strain relief clamp, holding the 4-wire cable.
6. Thread the 4-wire cable out through the U.L. strain relief clamp and throw away.
7. Thread the new 3-wire dryer cord through the U.L. strain relief clamp.
8. Attach the power cord Ground conductor (the center wire) to the Ground terminal. Tighten the terminal so that it securely holds the Ground conductor.
9. Attach the two remaining power cord outer conductors to the 2 terminals labeled L. Tighten both screws so that the power conductors are securely held in place. See Figure 10.
10. Tighten the screws on the U.L. strain relief so that the power cord cannot be moved.



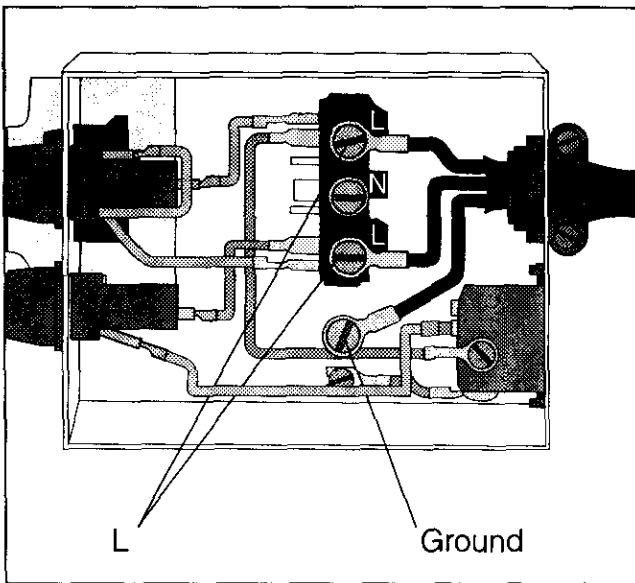


Figure 10.

11. Check the nut on the U.L. strain relief clamp to make sure that it is tight and the strain relief clamp cannot turn.
12. Replace the cover on the junction/splitter box and fasten in place.

The dryer is now ready to be plugged into the 3-wire receptacle, of the proper rating.

**Note:** The receptacle should be located so that the plug and receptacle will be accessible with the dryer in its installed position.

**Additional Grounding Procedure**

Some local codes may require a separate ground. In such cases, the required accessory ground wire, clamp and screw must be purchased separately.

**Never ground the dryer to plastic plumbing lines, gas lines or hot water pipes.**

**Step 7**

**Position and Level the Dryer**

Place the dryer in position on a clean, level, solidly constructed floor. Installation on any type of carpeting is not recommended.

With dryer in position, it must then be leveled. Check dryer, using level as shown in Figure 11.

**CAUTION:**

Do not slide dryer across the floor if leveling legs have been extended. Legs and/or dryer base may be damaged if dryer is slid across floor with leveling legs extended.

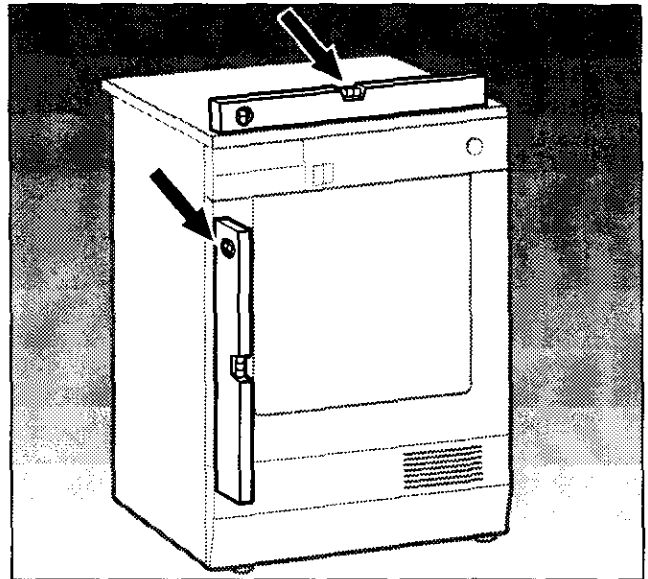


Figure 11.

The dryer should be level with all four feet firmly on the ground. The dryer must not wobble.

If the dryer is not level or if it does wobble, the legs must be adjusted. Refer to Figure 12. Adjust the leveling legs until the dryer does not rock and is level, both front-to-back and side-to-side.

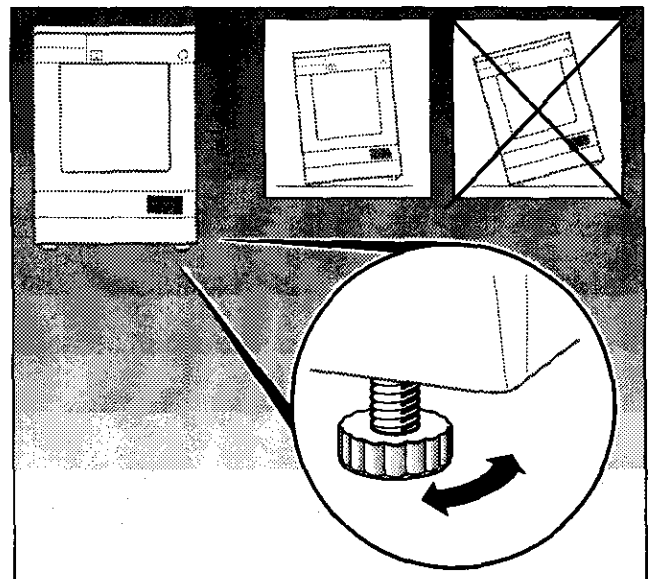


Figure 12.

### **Step 8**

#### **Connect Duct System to Dryer.**

**(Model WTA 3500 Only!)**

Connect the exhaust ducting system to the dryer exhaust outlet.

### **Step 9**

#### **Final Check List**

1. Review the electrical requirements (and for WTL model the exhaust requirements) and steps 1 through 8 to make sure they were performed properly.
2. Make sure the electrical supply is on.
3. Read the Use & Care manual to fully understand how your dryer operates. Turn on the dryer. Select the "Heated Dry" cycle and let the dryer run for 2-5 minutes.
4. After 2-5 minutes stop the dryer and open the door. You should feel heat inside the dryer.
5. If the dryer does not operate, refer to the SELF-HELP and the SERVICE and REPAIR sections of the Use and Care Manual.
6. Upon completing check, turn dryer off.
7. **LEAVE INSTALLATION INSTRUCTIONS AND USE and CARE MANUAL WITH OWNER.**



508 0108 AB8